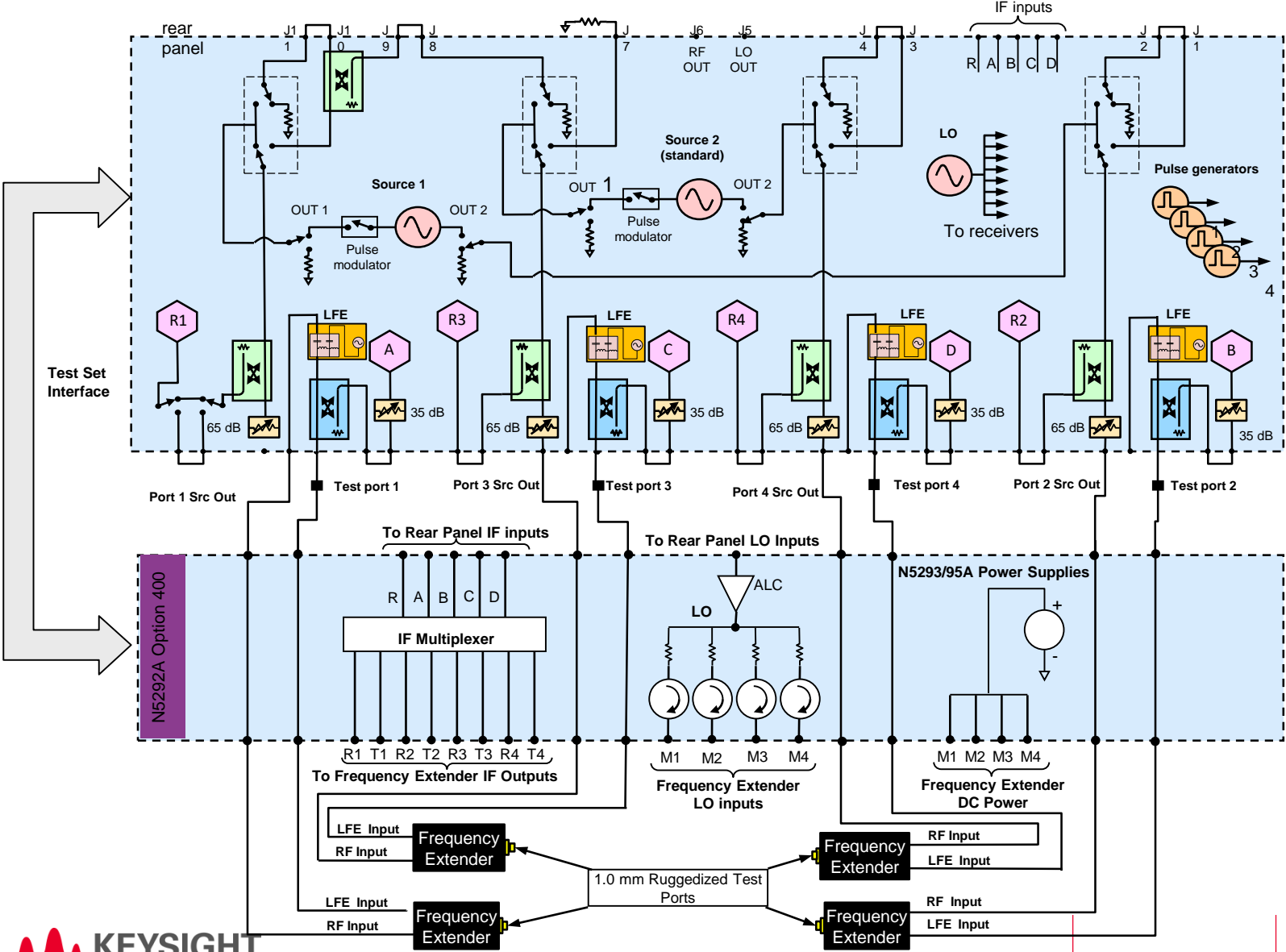


# N5291 Option 401 – N5242B, Option 425



# N5291 Option 402 – N5242B Option 425,029

