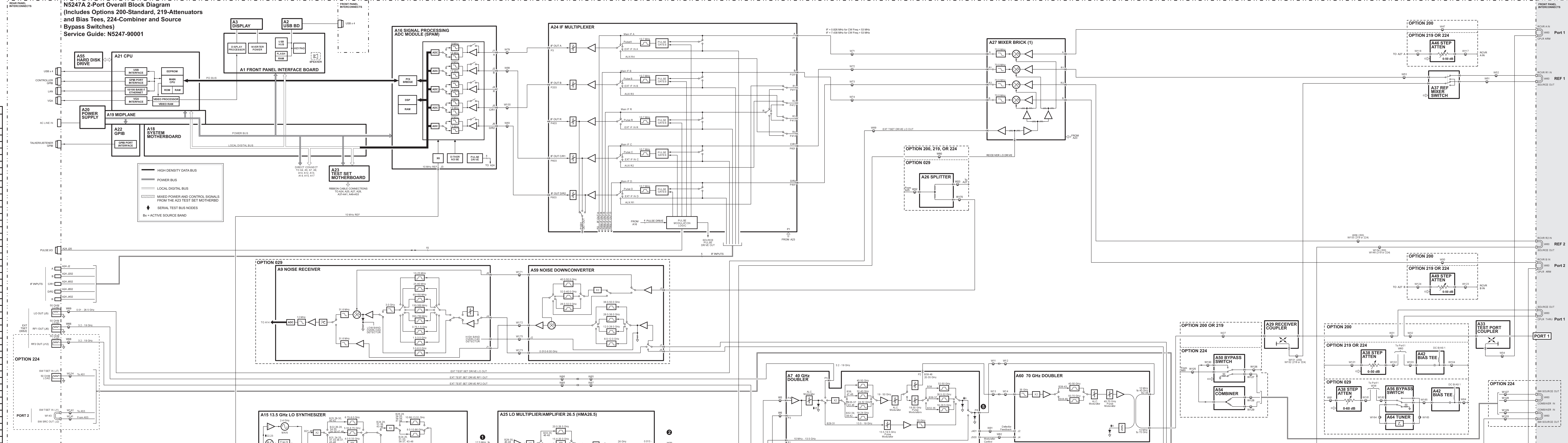
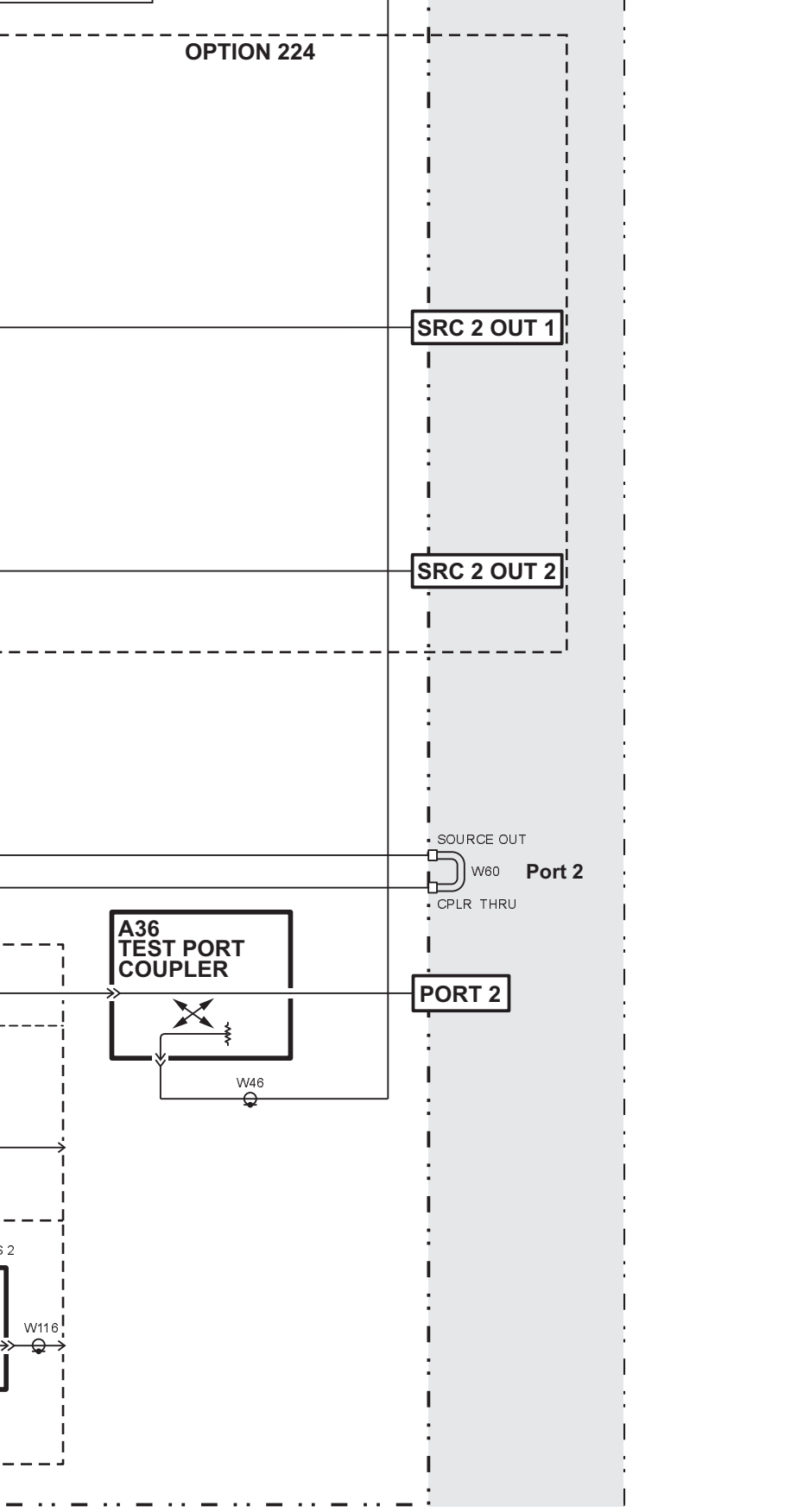
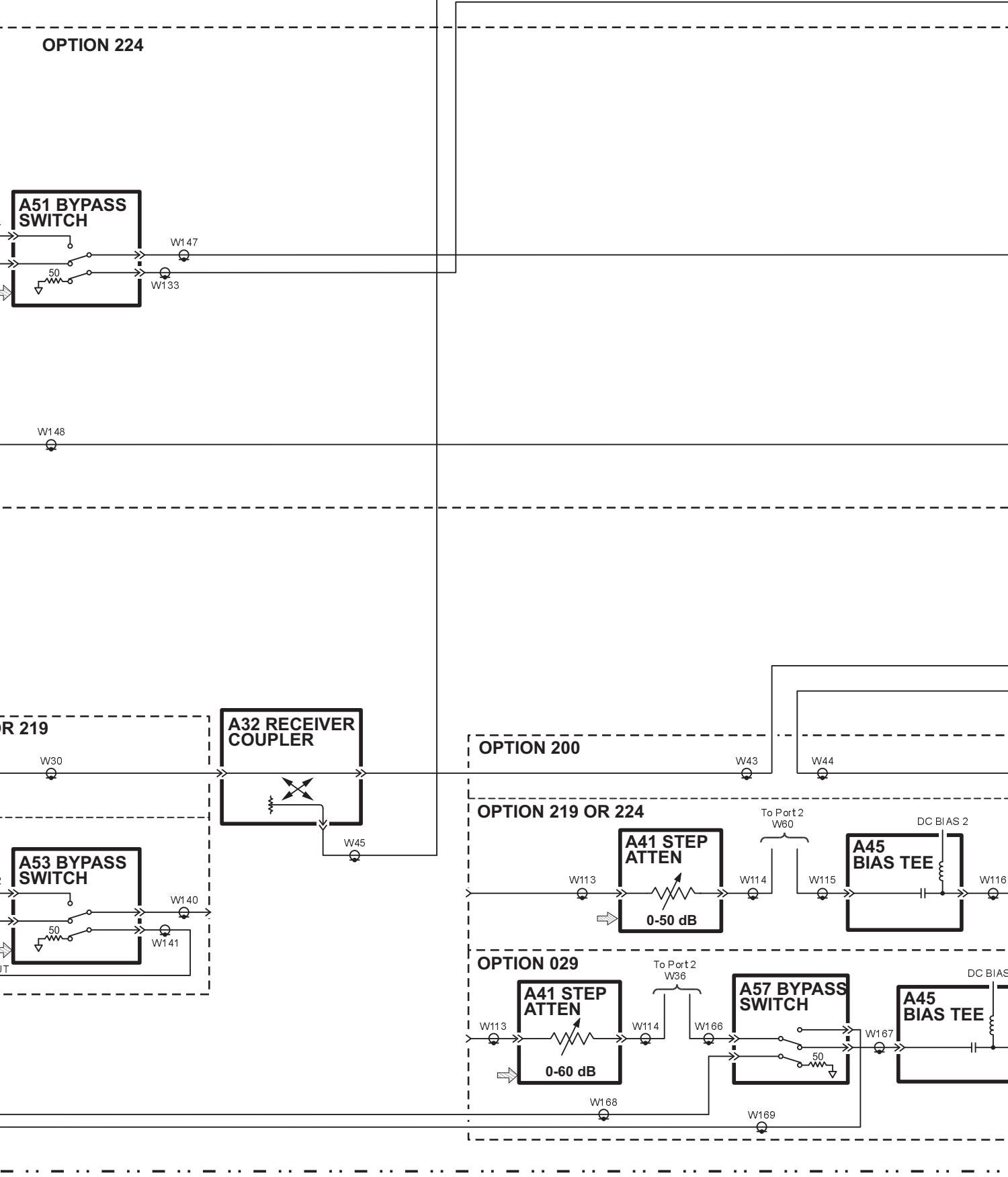
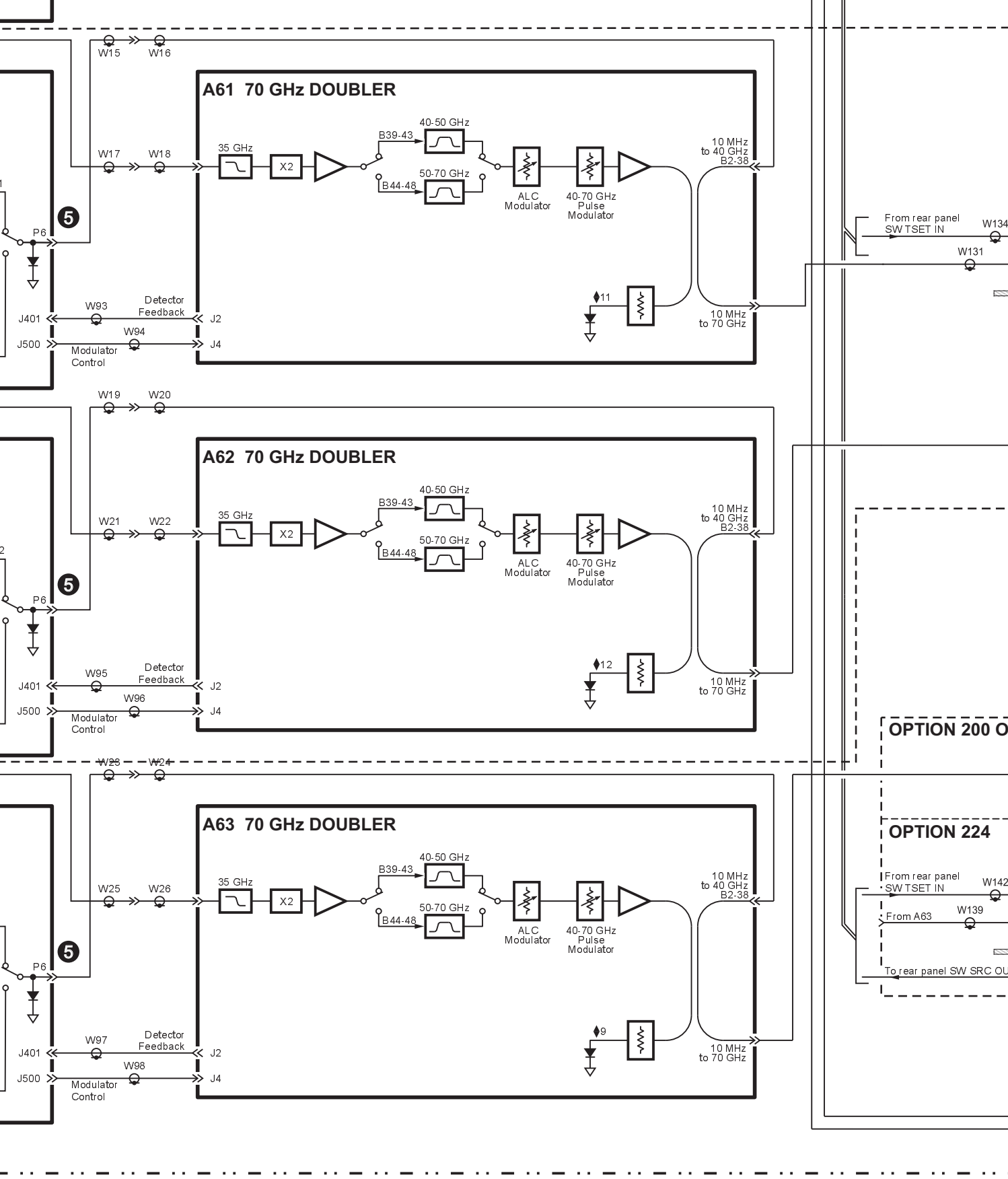
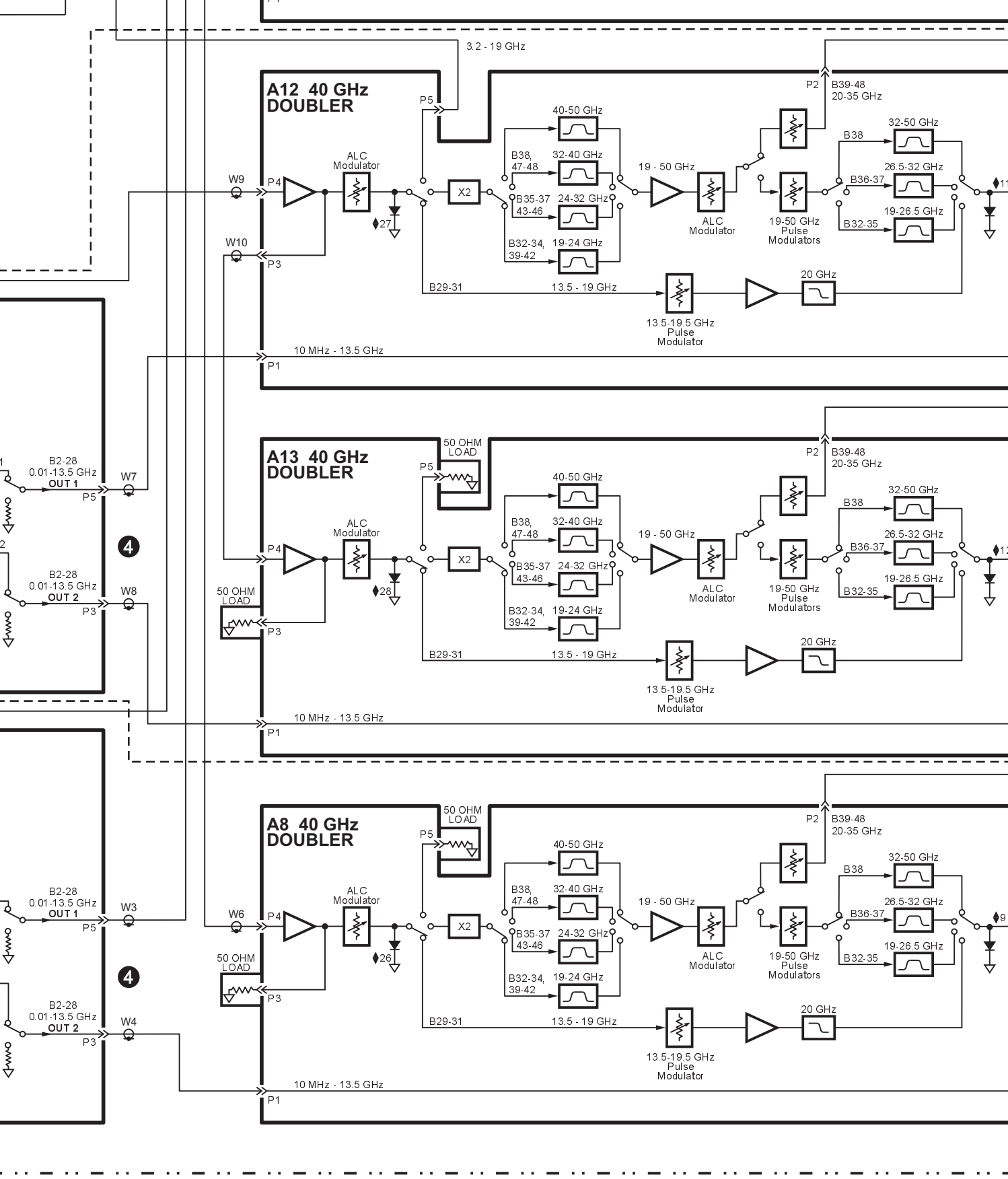
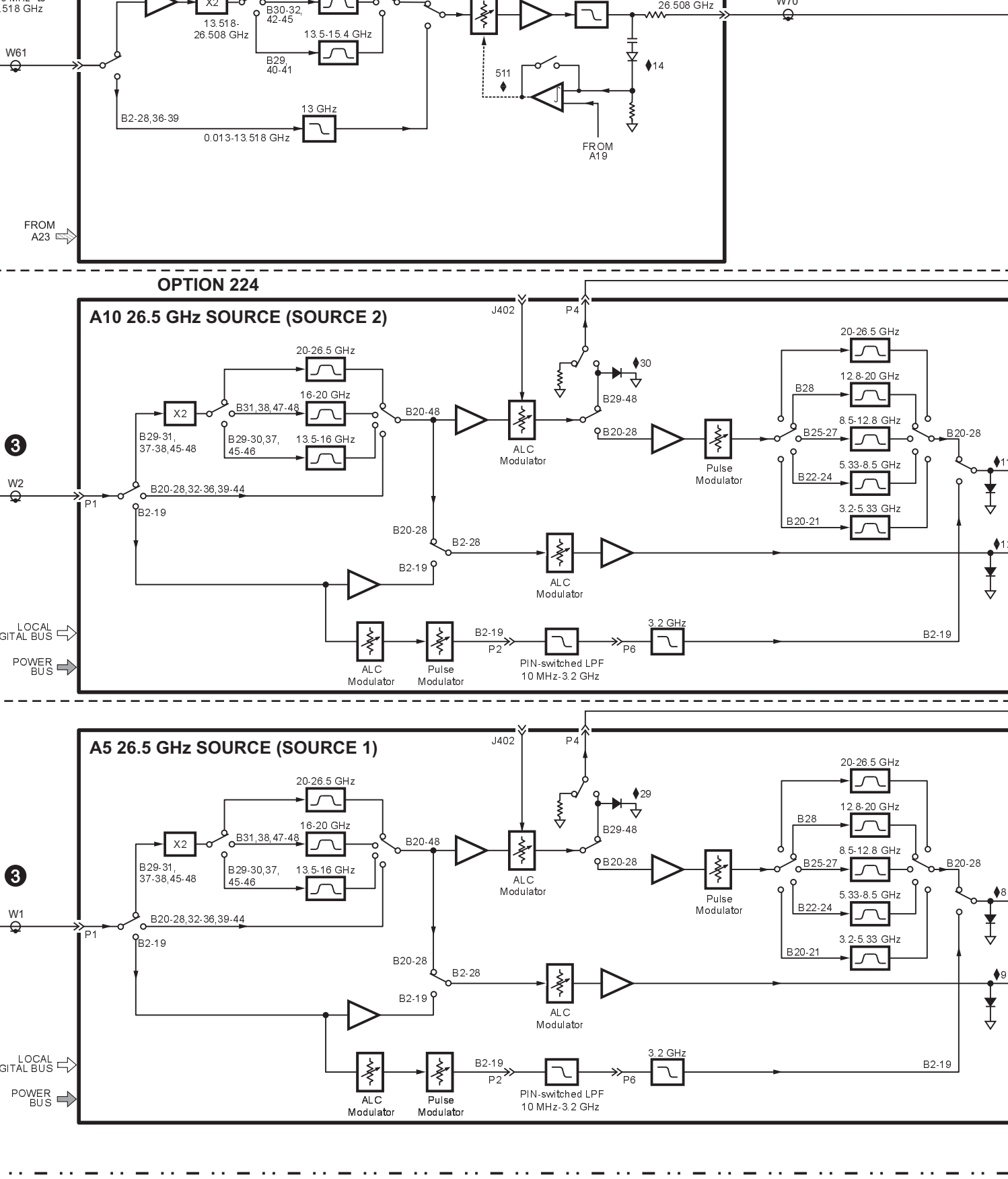
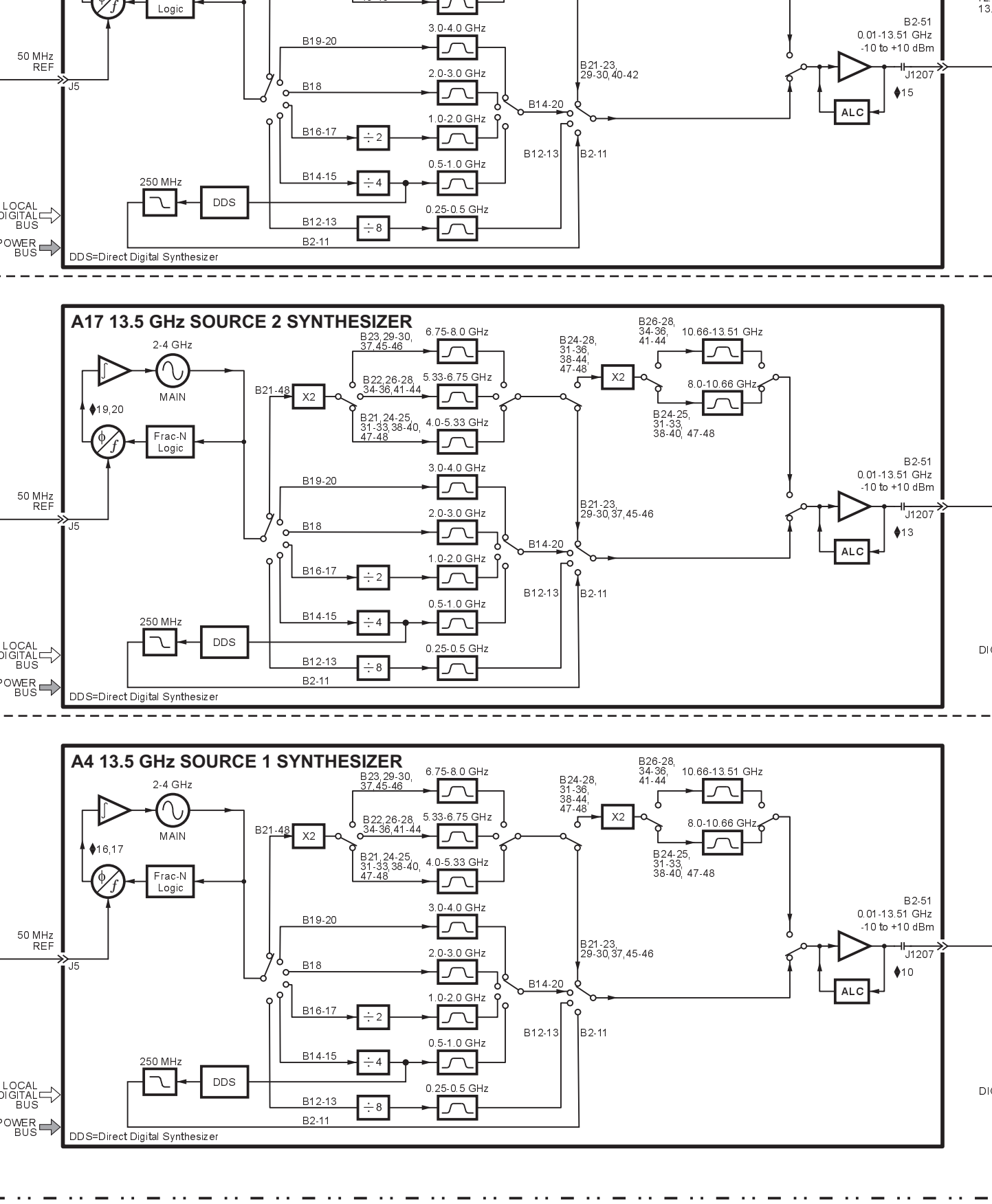
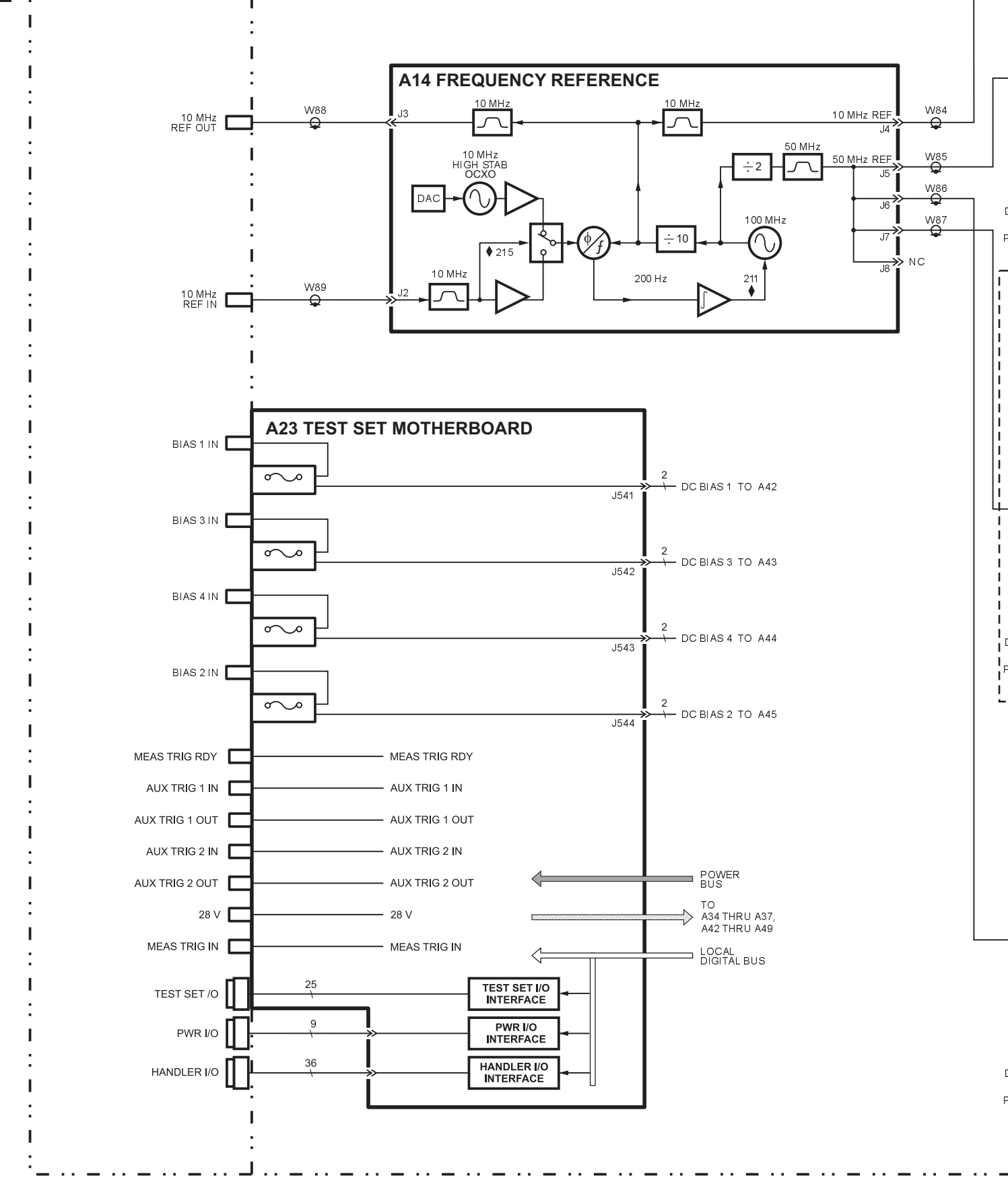
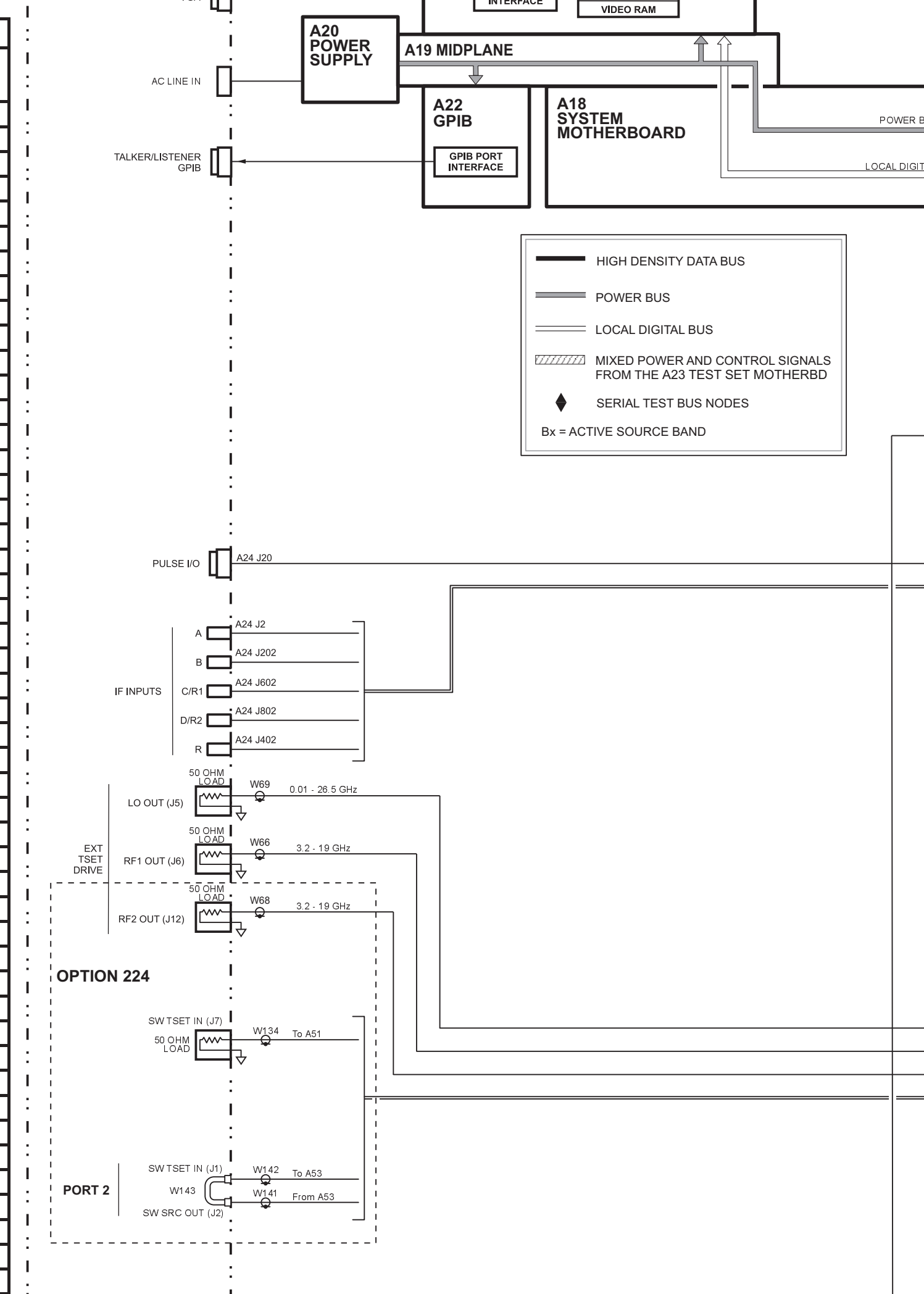


Band	Min. Spur L.O. Harmonic Number	1	2	3	4	5	6
1	1	0.01254 to 0.01854	0.01254 to 0.01854	0.019 to 0.014	0.016 to 0.014	0.016 to 0.014	0.019 to 0.014
2	1	0.02508 to 0.03708	0.02508 to 0.03708	0.038 to 0.028	0.032 to 0.028	0.032 to 0.028	0.038 to 0.028
3	1	0.03762 to 0.05412	0.03762 to 0.05412	0.051 to 0.042	0.043 to 0.042	0.043 to 0.042	0.051 to 0.042
4	1	0.05016 to 0.07216	0.05016 to 0.07216	0.068 to 0.054	0.056 to 0.054	0.056 to 0.054	0.068 to 0.054
5	1	0.06270 to 0.08964	0.06270 to 0.08964	0.084 to 0.066	0.070 to 0.066	0.070 to 0.066	0.084 to 0.066
6	1	0.07524 to 0.10716	0.07524 to 0.10716	0.102 to 0.081	0.085 to 0.081	0.085 to 0.081	0.102 to 0.081
7	1	0.08778 to 0.12522	0.08778 to 0.12522	0.136 to 0.106	0.114 to 0.106	0.114 to 0.106	0.136 to 0.106
8	1	0.10032 to 0.14364	0.10032 to 0.14364	0.184 to 0.144	0.157 to 0.144	0.157 to 0.144	0.184 to 0.144
9	1	0.11286 to 0.16218	0.11286 to 0.16218	0.228 to 0.176	0.194 to 0.176	0.194 to 0.176	0.228 to 0.176
10	1	0.12540 to 0.18072	0.12540 to 0.18072	0.272 to 0.210	0.233 to 0.210	0.233 to 0.210	0.272 to 0.210
11	1	0.13794 to 0.19926	0.13794 to 0.19926	0.316 to 0.244	0.273 to 0.244	0.273 to 0.244	0.316 to 0.244
12	1	0.15048 to 0.21780	0.15048 to 0.21780	0.360 to 0.278	0.315 to 0.278	0.315 to 0.278	0.360 to 0.278
13	1	0.16302 to 0.23634	0.16302 to 0.23634	0.404 to 0.312	0.357 to 0.312	0.357 to 0.312	0.404 to 0.312
14	1	0.17556 to 0.25488	0.17556 to 0.25488	0.448 to 0.346	0.400 to 0.346	0.400 to 0.346	0.448 to 0.346
15	1	0.18810 to 0.27342	0.18810 to 0.27342	0.492 to 0.380	0.443 to 0.380	0.443 to 0.380	0.492 to 0.380
16	1	0.20064 to 0.29196	0.20064 to 0.29196	0.536 to 0.418	0.485 to 0.418	0.485 to 0.418	0.536 to 0.418
17	1	0.21318 to 0.31050	0.21318 to 0.31050	0.580 to 0.452	0.527 to 0.452	0.527 to 0.452	0.580 to 0.452
18	1	0.22572 to 0.32904	0.22572 to 0.32904	0.624 to 0.486	0.570 to 0.486	0.570 to 0.486	0.624 to 0.486
19	1	0.23826 to 0.34758	0.23826 to 0.34758	0.668 to 0.520	0.612 to 0.520	0.612 to 0.520	0.668 to 0.520
20	1	0.25080 to 0.36612	0.25080 to 0.36612	0.712 to 0.554	0.655 to 0.554	0.655 to 0.554	0.712 to 0.554
21	1	0.26334 to 0.38466	0.26334 to 0.38466	0.756 to 0.588	0.698 to 0.588	0.698 to 0.588	0.756 to 0.588
22	1	0.27588 to 0.40320	0.27588 to 0.40320	0.800 to 0.622	0.741 to 0.622	0.741 to 0.622	0.800 to 0.622
23	1	0.28842 to 0.42174	0.28842 to 0.42174	0.844 to 0.656	0.784 to 0.656	0.784 to 0.656	0.844 to 0.656
24	1	0.30096 to 0.44028	0.30096 to 0.44028	0.888 to 0.690	0.827 to 0.690	0.827 to 0.690	0.888 to 0.690
25	1	0.31350 to 0.45882	0.31350 to 0.45882	0.932 to 0.724	0.870 to 0.724	0.870 to 0.724	0.932 to 0.724
26	1	0.32604 to 0.47736	0.32604 to 0.47736	0.976 to 0.758	0.913 to 0.758	0.913 to 0.758	0.976 to 0.758
27	1	0.33858 to 0.49590	0.33858 to 0.49590	1.020 to 0.792	0.956 to 0.792	0.956 to 0.792	1.020 to 0.792
28	1	0.35112 to 0.51444	0.35112 to 0.51444	1.064 to 0.826	0.999 to 0.826	0.999 to 0.826	1.064 to 0.826
29	1	0.36366 to 0.53298	0.36366 to 0.53298	1.108 to 0.860	1.042 to 0.860	1.042 to 0.860	1.108 to 0.860
30	1	0.37620 to 0.55152	0.37620 to 0.55152	1.152 to 0.894	1.085 to 0.894	1.085 to 0.894	1.152 to 0.894
31	1	0.38874 to 0.57006	0.38874 to 0.57006	1.196 to 0.928	1.128 to 0.928	1.128 to 0.928	1.196 to 0.928
32	1	0.40128 to 0.58860	0.40128 to 0.58860	1.240 to 0.962	1.171 to 0.962	1.171 to 0.962	1.240 to 0.962
33	1	0.41382 to 0.60714	0.41382 to 0.60714	1.284 to 0.996	1.214 to 0.996	1.214 to 0.996	1.284 to 0.996
34	1	0.42636 to 0.62568	0.42636 to 0.62568	1.328 to 1.030	1.257 to 1.030	1.257 to 1.030	1.328 to 1.030
35	1	0.43890 to 0.64422	0.43890 to 0.64422	1.372 to 1.064	1.300 to 1.064	1.300 to 1.064	1.372 to 1.064
36	1	0.45144 to 0.66276	0.45144 to 0.66276	1.416 to 1.098	1.343 to 1.098	1.343 to 1.098	1.416 to 1.098
37	1	0.46398 to 0.68130	0.46398 to 0.68130	1.460 to 1.132	1.386 to 1.132	1.386 to 1.132	1.460 to 1.132
38	1	0.47652 to 0.69984	0.47652 to 0.69984	1.504 to 1.166	1.429 to 1.166	1.429 to 1.166	1.504 to 1.166
39	1	0.48906 to 0.71838	0.48906 to 0.71838	1.548 to 1.200	1.472 to 1.200	1.472 to 1.200	1.548 to 1.200
40	1	0.50160 to 0.73692	0.50160 to 0.73692	1.592 to 1.234	1.515 to 1.234	1.515 to 1.234	1.592 to 1.234
41	3	7.7106 to 8.0113	15.4212 to 16.0226	11.552 to 12.000	23.104 to 24.000	23.104 to 24.000	46.208 to 48.000
42	3	8.0099 to 8.3086	16.0198 to 16.6372	12.000 to 12.504	24.000 to 25.008	24.000 to 25.008	48.000 to 50.016
43	3	8.3086 to 8.6073	16.6172 to 17.2746	12.504 to 13.008	25.000 to 26.000	25.000 to 26.000	50.000 to 54.016
44	3	8.6073 to 8.9060	17.2150 to 17.9104	13.008 to 13.512	26.000 to 27.000	26.000 to 27.000	52.000 to 54.016
45	3	8.9060 to 9.2047	17.8124 to 18.5478	13.512 to 14.016	27.000 to 30.000	27.000 to 30.000	54.000 to 60.000
46	3	10.0013 to 10.6679	20.0026 to 21.3358	7.500 to 8.000	15.000 to 16.000	30.000 to 32.000	60.000 to 64.000
47	3	10.6679 to 11.3345	21.3358 to 22.6690	8.000 to 8.375	16.000 to 16.750	32.000 to 33.500	64.000 to 67.000
48	3	11.3345 to 11.6679	22.6690 to 23.3358	8.375 to 8.750	16.750 to 17.500	33.500 to 35.000	67.000 to 70.000



Test Node	Error Description	Assembly	Frequency Band
8	Unleveled, Source 1, Out 1	A7	13.5 - 40 GHz
9	Unleveled, Source 1, Out 2	A29	40 - 70 GHz
10	Unleveled, Source 1 Synthesizer	A5	0.01 - 13.5 GHz
11	Unleveled, Source 2, Out 1	A6	13.5 - 40 GHz
12	Unleveled, Source 2, Out 2	A32	40 - 70 GHz
13	Unleveled, Source 2 Synthesizer	A10	0.01 - 13.5 GHz
14	Unleveled, LO Drive	A12	13.5 - 40 GHz
15	Unleveled, LO Synthesizer	A30	40 - 70 GHz
16	Unleveled, Source 1 Synthesizer, Integrator Low	A15	Full Range
17	Unleveled, Source 1 Synthesizer, Integrator High	A4	Full Range
18	Unleveled, Source 2 Synthesizer, Integrator Low	A17	Full Range
19	Unleveled, Source 2 Synthesizer, Integrator High	A11	Full Range
20	Unleveled, Source 2 Synthesizer, Integrator Low	A17	Full Range
21	Unleveled, Source 2 Synthesizer, Integrator High	A17	Full Range
22	Unleveled, Doublet 1 Prelevel	A7	13.5 - 70 GHz
23	Unleveled, Doublet 2 Prelevel	A8	13.5 - 70 GHz
24	Unleveled, Doublet 3 Prelevel	A12	13.5 - 70 GHz
25	Unleveled, Doublet 4 Prelevel	A13	13.5 - 70 GHz
26	Unleveled, Source 1, P4	A5	13.5 - 70 GHz
27	Unleveled, Source 2, P4	A10	13.5 - 70 GHz