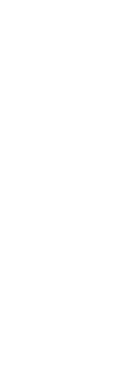
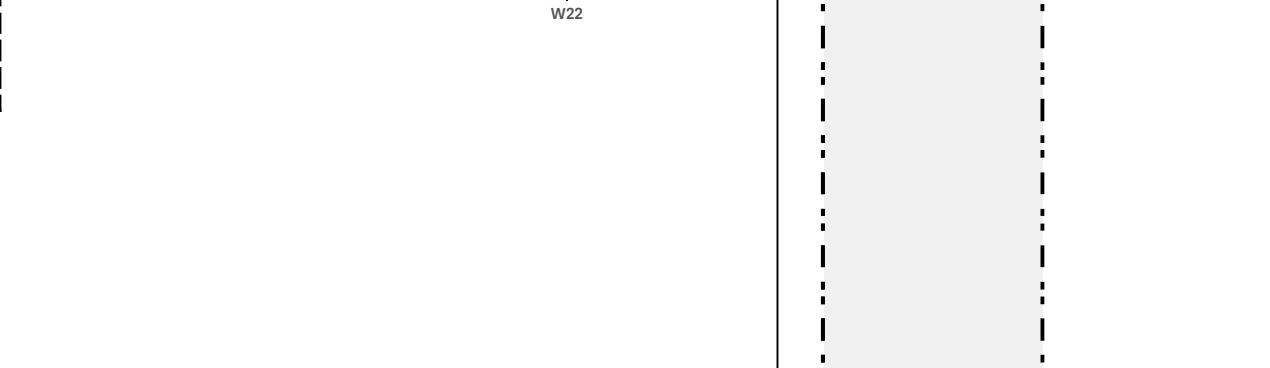
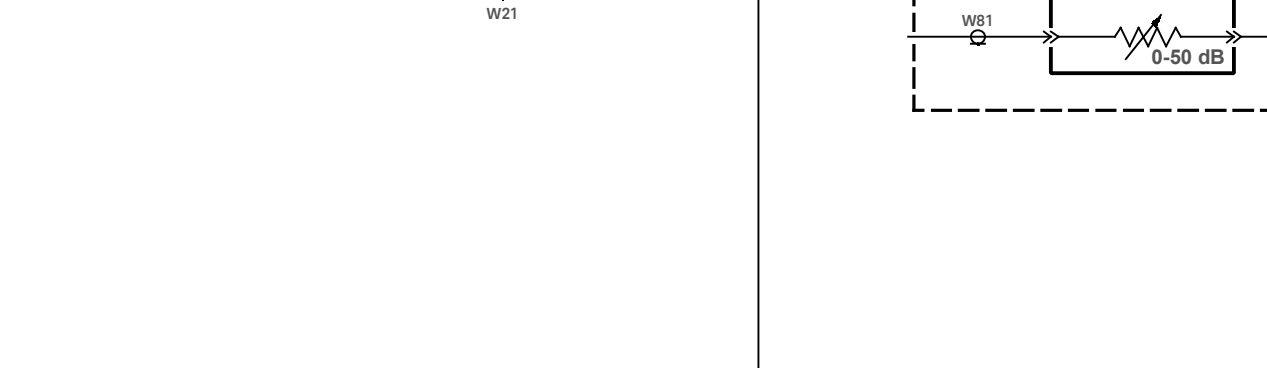
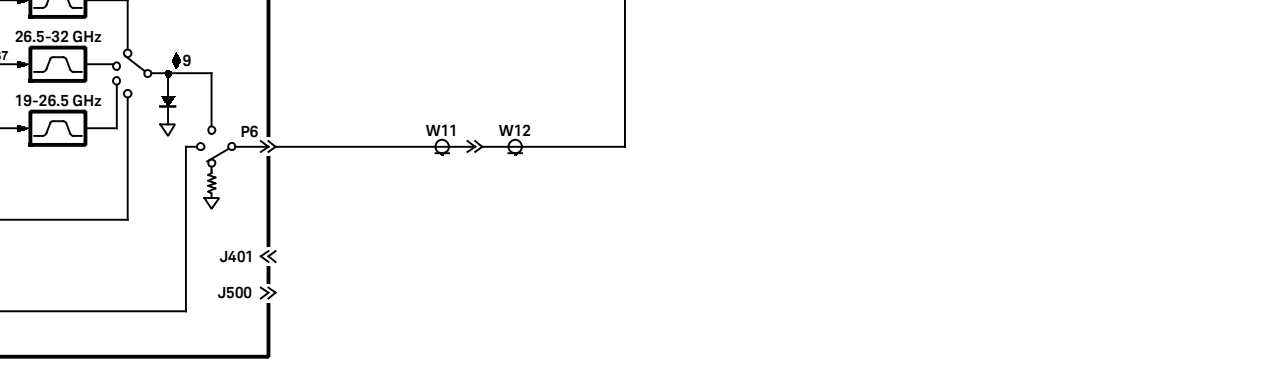
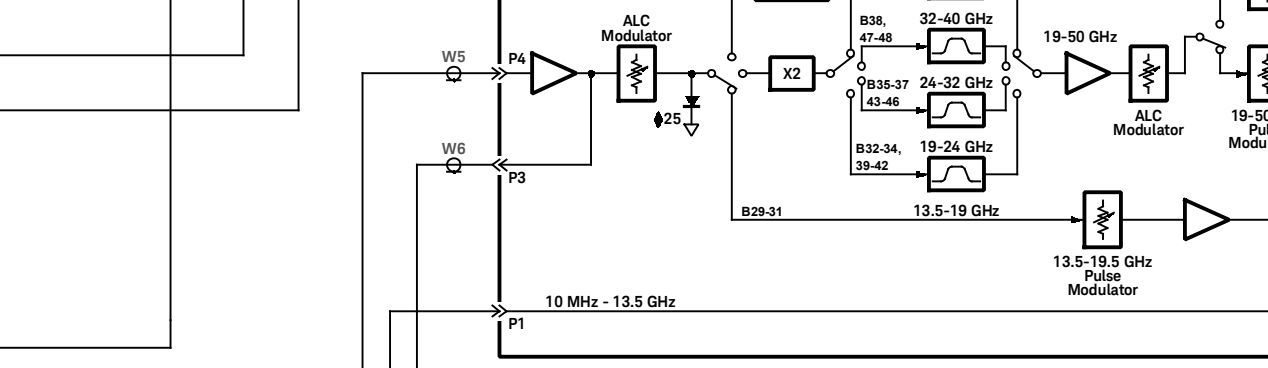
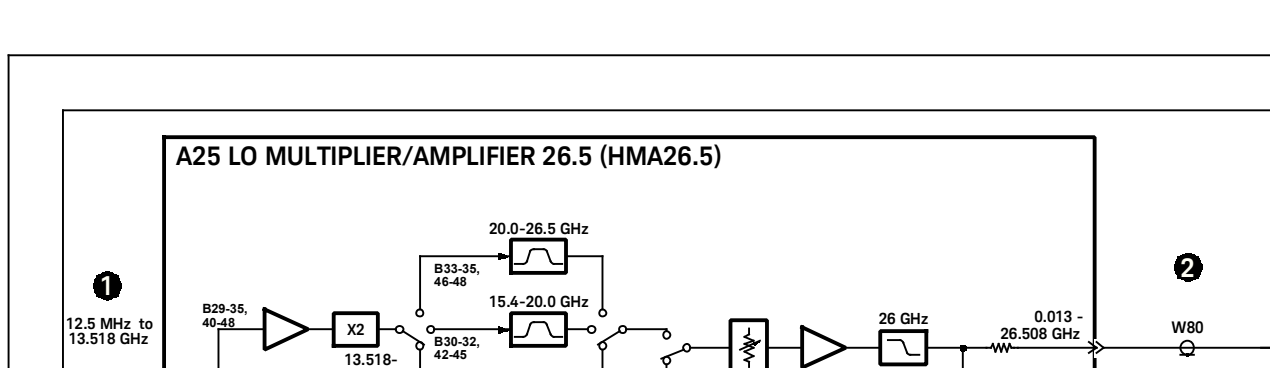
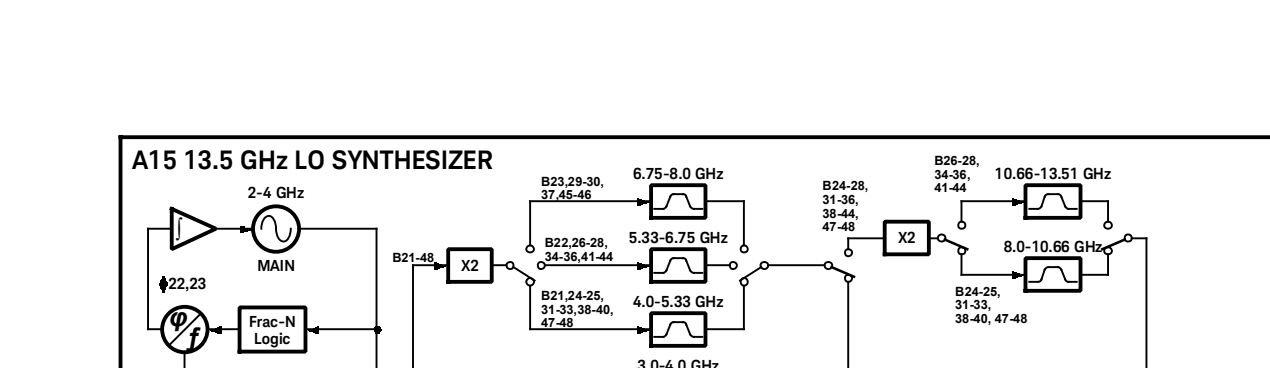
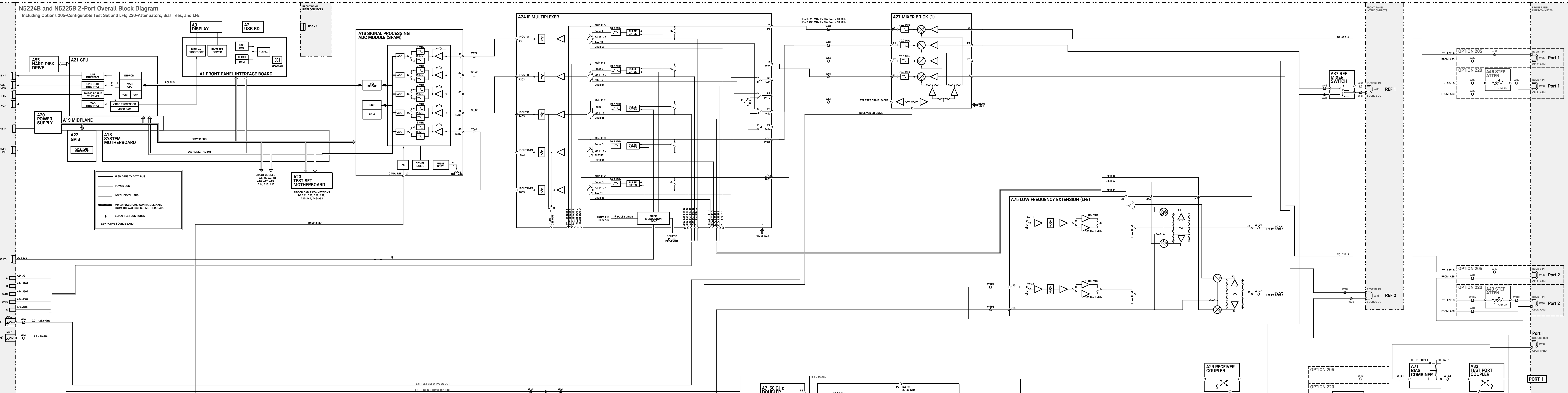


Block Number	LO Synthesizer Frequency (GHz)	A25 HMA26.5 Frequency (GHz)	RF Synthesizer Frequency (GHz)	A5/A10 Source Frequency (GHz)	A7/A8/A12/A13 50 GHz Doubler Frequency (GHz)
1	0.01083 to 0.05383	0.01083 to 0.05383	0.010 to 0.053	0.010 to 0.053	0.010 to 0.053
2	0.01083 to 0.05383	0.01083 to 0.05383	0.010 to 0.053	0.010 to 0.053	0.010 to 0.053
3	0.05044 to 0.18244	0.05044 to 0.18244	0.053 to 0.175	0.053 to 0.175	0.053 to 0.175
4	0.18244 to 0.25744	0.18244 to 0.25744	0.175 to 0.250	0.175 to 0.250	0.175 to 0.250
5	0.25744 to 0.50744	0.25744 to 0.50744	0.250 to 0.500	0.250 to 0.500	0.250 to 0.500
6	0.50744 to 1.00744	0.50744 to 1.00744	0.500 to 1.000	0.500 to 1.000	0.500 to 1.000
7	1.00744 to 2.00744	1.00744 to 2.00744	1.000 to 2.000	1.000 to 2.000	1.000 to 2.000
8	2.00744 to 3.00744	2.00744 to 3.00744	2.000 to 3.000	2.000 to 3.000	2.000 to 3.000
9	3.00744 to 3.20744	3.00744 to 3.20744	3.000 to 3.200	3.000 to 3.200	3.000 to 3.200
10	3.20744 to 4.00744	3.20744 to 4.00744	3.200 to 4.000	3.200 to 4.000	3.200 to 4.000
11	4.00744 to 5.33944	4.00744 to 5.33944	4.000 to 5.332	4.000 to 5.332	4.000 to 5.332
12	5.33944 to 6.75944	5.33944 to 6.75944	5.332 to 6.752	5.332 to 6.752	5.332 to 6.752
13	6.75944 to 8.00744	6.75944 to 8.00744	6.752 to 8.000	6.752 to 8.000	6.752 to 8.000
14	8.00744 to 10.67144	8.00744 to 10.67144	8.000 to 10.664	8.000 to 10.664	8.000 to 10.664
15	10.67144 to 13.51744	10.67144 to 13.51744	10.664 to 13.510	10.664 to 13.510	10.664 to 13.510
16	13.51744 to 15.40744	13.51744 to 15.40744	13.510 to 15.400	13.510 to 15.400	13.510 to 15.400
17	15.40744 to 16.00744	15.40744 to 16.00744	15.400 to 16.000	15.400 to 16.000	15.400 to 16.000
18	16.00744 to 18.90744	16.00744 to 18.90744	16.000 to 18.900	16.000 to 18.900	16.000 to 18.900
19	18.90744 to 20.00744	18.90744 to 20.00744	18.900 to 20.000	18.900 to 20.000	18.900 to 20.000
20	20.00744 to 21.33544	20.00744 to 21.33544	20.000 to 21.328	20.000 to 21.328	20.000 to 21.328
21	21.33544 to 24.00744	21.33544 to 24.00744	21.328 to 24.000	21.328 to 24.000	21.328 to 24.000
22	24.00744 to 26.50744	24.00744 to 26.50744	24.000 to 26.500	24.000 to 26.500	24.000 to 26.500
23	26.50744 to 32.00744	26.50744 to 32.00744	26.500 to 32.000	26.500 to 32.000	26.500 to 32.000
24	32.00744 to 39.00744	32.00744 to 39.00744	32.000 to 39.000	32.000 to 39.000	32.000 to 39.000
25	39.00744 to 42.500744	39.00744 to 42.500744	39.000 to 42.500	39.000 to 42.500	39.000 to 42.500
26	42.500744 to 42.850744	42.500744 to 42.850744	42.500 to 42.850	42.500 to 42.850	42.500 to 42.850
27	42.850744 to 42.850744	42.850744 to 42.850744	42.850 to 42.850	42.850 to 42.850	42.850 to 42.850
28	42.850744 to 42.850744	42.850744 to 42.850744	42.850 to 42.850	42.850 to 42.850	42.850 to 42.850
29	42.850744 to 42.850744	42.850744 to 42.850744	42.850 to 42.850	42.850 to 42.850	42.850 to 42.850
30	42.850744 to 42.850744	42.850744 to 42.850744	42.850 to 42.850	42.850 to 42.850	42.850 to 42.850



Test Node	Error Description	Assembly	Frequency Band
8	Unlevelled, Source 1, Out 1	A5	0.01 - 13.5 GHz
9	Unlevelled, Source 1, Out 2	A7	13.5 - 50 GHz
10	Unlevelled, Source 1 Synthesizer	A4	13.5 - 50 GHz
11	Unlevelled, Source 2, Out 1	A10	0.01 - 13.5 GHz
12	Unlevelled, Source 2, Out 2	A12	13.5 - 50 GHz
13	Unlevelled, Source 2 Synthesizer	A13	13.5 - 50 GHz
14	Unlevelled, LO Drive	A25	Full Range
15	Unlevelled, LO Synthesizer	A15	Full Range
16	Unlevelled, Source 1 Synthesizer, Integrator Low	A4	Full Range
17	Unlevelled, Source 1 Synthesizer, Integrator High	A4	Full Range
18	Unlevelled, Source 2 Synthesizer, Integrator Low	A17	Full Range
19	Unlevelled, Source 2 Synthesizer, Integrator High	A17	Full Range
20	Unlevelled, Source 2 Synthesizer, Integrator High	A17	Full Range
21	Unlevelled, LO Synthesizer, Integrator Low	A15	Full Range
22	Unlevelled, LO Synthesizer, Integrator High	A15	Full Range
23	Unlevelled, Doubler 1, Prelevel	A7	13.5 - 70 GHz
24	Unlevelled, Doubler 2, Prelevel	A8	13.5 - 70 GHz
25	Unlevelled, Doubler 3, Prelevel	A12	13.5 - 70 GHz
26	Unlevelled, Doubler 4, Prelevel	A13	13.5 - 70 GHz
27	Unlevelled, Source 1, PA	A5	13.5 - 70 GHz
28	Unlevelled, Source 2, PA	A10	13.5 - 70 GHz

