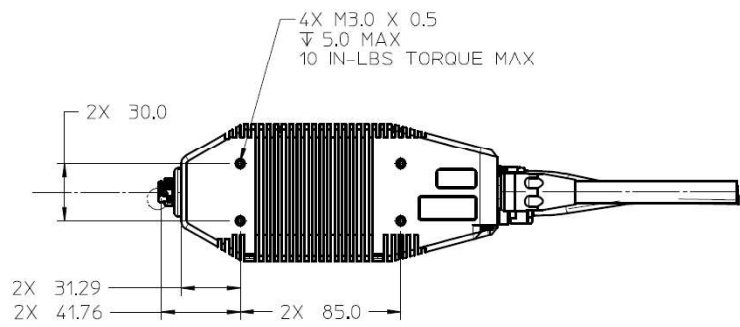
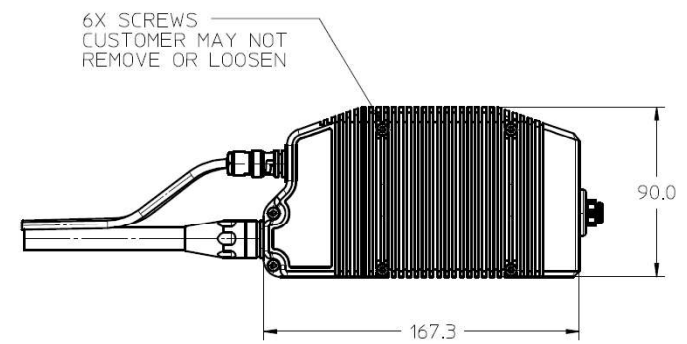
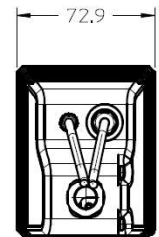
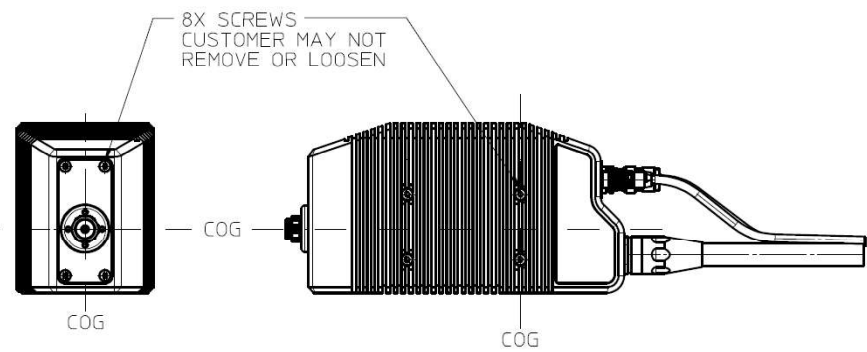
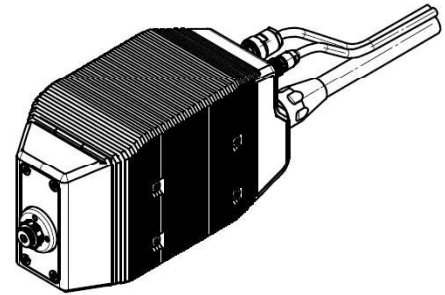
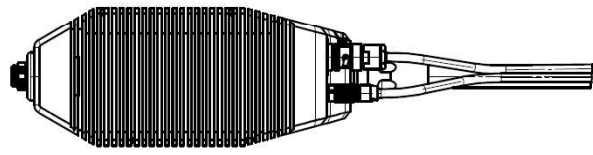


FILE NAME	REVISION	STORE DATE	DOCUMENT NUMBER
N5293A_Mount_Spec.dwg	A	2017-05-01	N5293A_MountSpec
SYM	REVISIONS	REVISED BY	DATE
A	AS ISSUED	C CRAVEN	2017-05-01



WEIGHT: 3.73 LBS.
COG: APPROXIMATE LOCATION OF CENTER OF GRAVITY

RoHS AND OTHER ENVIRONMENTAL REQUIREMENTS PER 5951-1743-2;

DO NOT SCALE THIS DRAWING	GD&T SYMBOLOGY PER ASME Y14.5M-1994	C CRAVEN DRAWN BY	2017-05-01 DATE (YYYY-MM-DD)	N5293A - MOUNTING SPEC	KEYSIGHT TECHNOLOGIES
		C CRAVEN ENGINEER/CHECKER	2017-05-01 DATE		
UNLESS OTHERWISE SPECIFIED				TITLE	PART NUMBER
* DIMENSIONS ARE IN MILLIMETERS				1 OF 1 SHEET	N5293A_Cust_Spec
* THIRD ANGLE PROJECTION				0.5X SCALE	C N5293A_MountSpec
* ADHERENCE TO DWG A-5951-1561-1 (COMPANY STD. SECTION 608) AND A-5951-1245-1 (GSE) IS REQUIRED				C SIZE	DOCUMENT NUMBER