

N1501A Dielectric Probe Kit

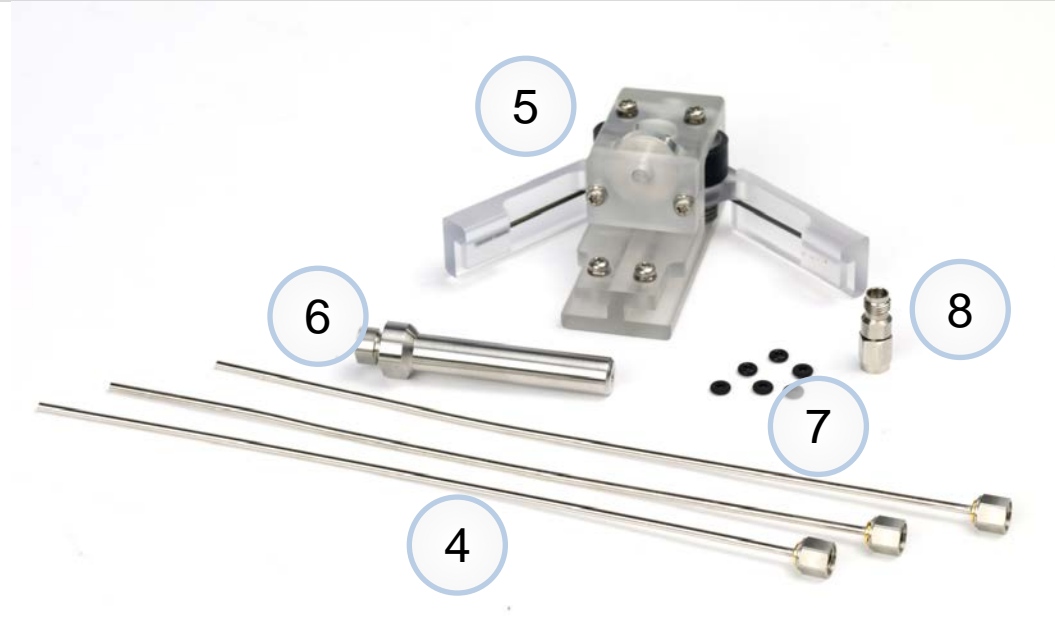
High Temperature Probe Kit



#	Description	Part Number	Comes in
1	High Temperature Short	85070-60003	N1501A-101
2	High Temperature Probe	8710-2036	N1501A-101
3	Conductive Elastomer Short Disk – optional use adds cushion between High Temperature Probe and High Temperature Short	85070-20036	N1501A-101

N1501A Dielectric Probe Kit

Slim Form Probe Kit



#	Description	Part Number	Comes in
4	Slim Form Probe (qty 3)	85070-20037	N1501A-102 N1501A-103
5	Slim Form Short	85070-60004	N1501A-102
6	Slim Form Probe Holder – Connects Slim Form Probe to 10mm Holder and Probe Stand Bracket.	85070-60007	N1501A-102
7	O-rings (qty 6) –inserted between inner and outer parts of Slim Form Probe Holder.	0905-1605	N1501A-102 N1501A-103
8	Connector Saver Adapter – Protects Slim Form Probe when connecting to 2.4mm PSC connector.	1250-3449	N1501A-102

N1501A Dielectric Probe Kit

Performance Probe Kit



#	Description	Part Number	Comes in
9	Performance Probe	85070-60010	N1501A-104
10	Performance Probe Short	85070-60012	N1501A-104

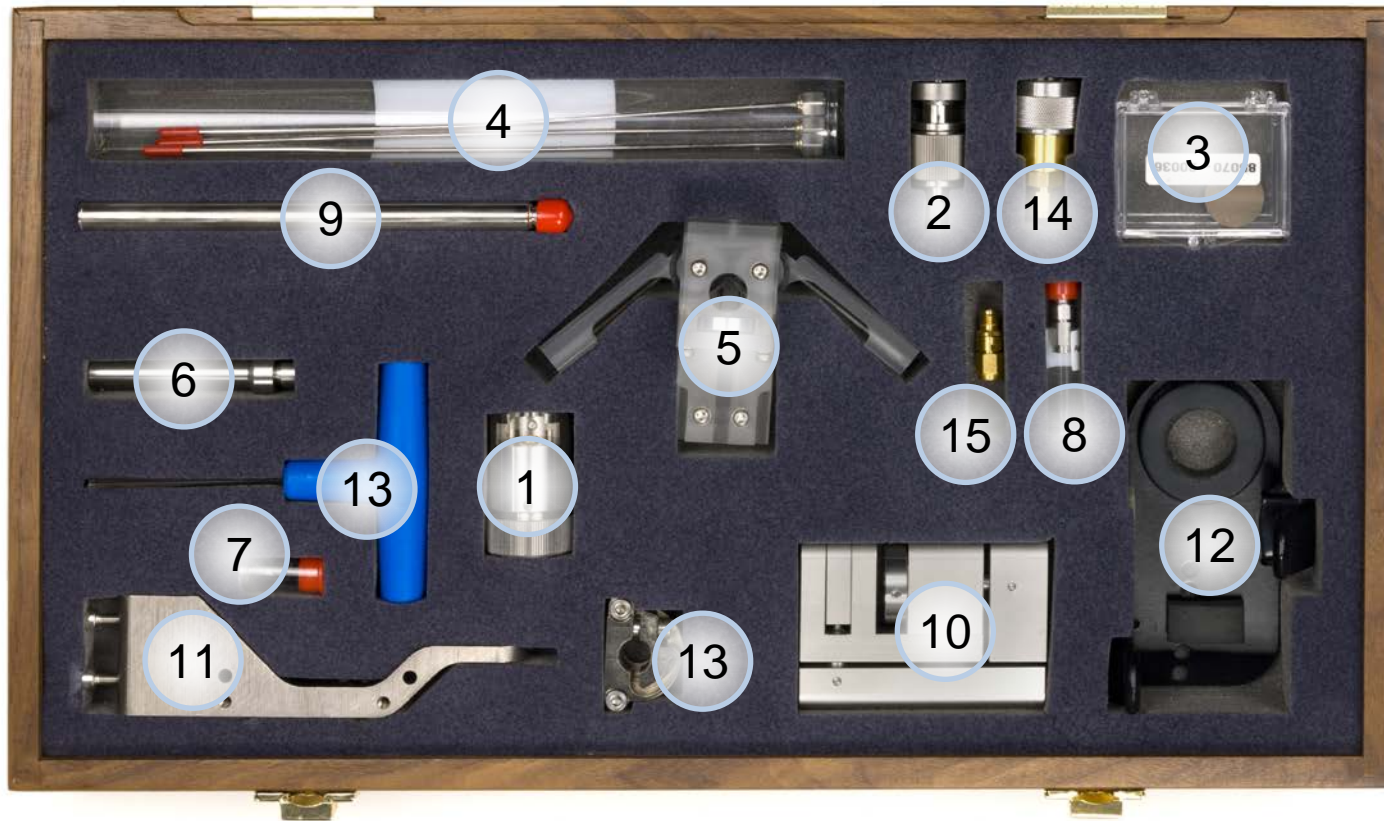
Accessories



#	Description	Part Number	Comes in
	Walnut storage box and foam pad set (not shown)	85070-80010 and 85070-80011	N1501A-001
	Probe Stand (not shown)	9301-1298	N1501A-002
11	Probe Stand Bracket	85070-20028	N1501A-003
12	ECal Bracket – Connects optional ECal module to Probe Stand Bracket.	85070-60008	N1501A-004
13	10mm Holder and Key Set – connects Performance Probe and Slim Form Holder to Probe Stand Bracket.	85070-60011	N1501A-005
14	Type N to 3.5mm Adapter	1250-1743	N1501A-006
15	2.4mm to 3.5mm Adapter	11901-60004	11901D
	High temperature cable (not shown)	8120-6286	N1501A-201
	20 GHz Flexible cable (not shown)	8120-6192	N1501A-202
	50 GHz Flexible cable (not shown)	8121-1290	N1501A-203

N1501A Dielectric Probe Kit

Location of parts in Walnut Storage Box



Index

# 1-3	High Temperature Probe Kit	Page 1
# 4-8	Slim Form Probe Kit	Page 2
# 9-10	Performance Probe Kit	Page 3
# 11-16	Accessories	Page 4