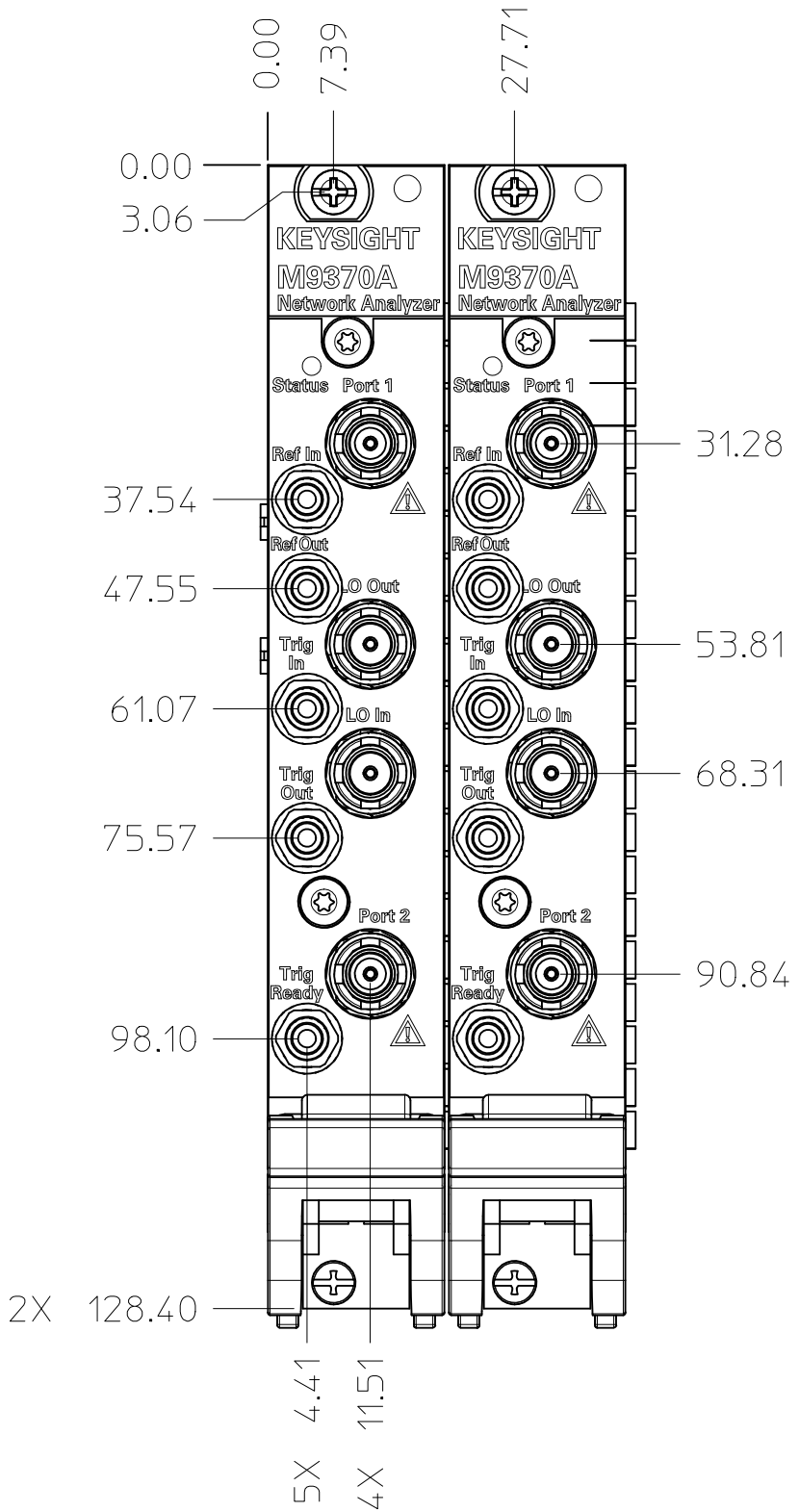


FILE NAME PXle-VNA-M937xA-Family_Rev2.ami		REVISION 2	STORE DATE 2015-06-08	DOCUMENT NUMBER <b>PXle-VNA</b>
SYM 2	REVISIONS AS ISSUED		REVISED BY	DATE 2015-06-08



2. APPLIES TO MODELS M9370A, M9371A, M9372A, M9373A, M9374A, AND M9375A.

1. EXAMPLE SHOWN:  
TWO M9370A MODULES SIDE BY SIDE AS POSITIONED IN MAINFRAME.

STANDARD TOLERANCES (UNLESS OTHERWISE SPECIFIED)		DRAWN BY 2015-01-30 DATE (YYYY-MM-DD)		<b>PXle VNA M937xA FAMILY</b>			
DIMENSIONS MILLIMETERS		ENGINEER/CHECKER 2015-01-30 DATE					
DO NOT SCALE THIS <b>METRIC</b> DRAWING		GD&T SYMBOLOGY PER ASME Y14.5M-1994		UNLESS OTHERWISE SPECIFIED ◦ DIMENSIONS ARE IN MILLIMETERS ◦ THIRD ANGLE PROJECTION		PART NUMBER PXle-VNA	
				TITLE 1 OF 1 SHEET		SCALE 1.25X SIZE <b>B</b>	
						DOCUMENT NUMBER <b>PXle-VNA</b>	